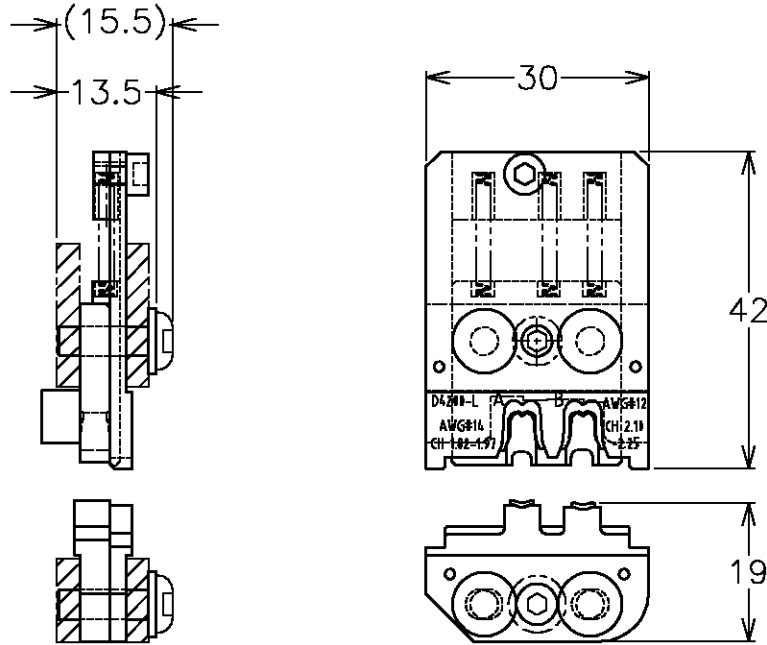


LOC J	DIST —	REVISONS 変更				DATE 13JUN05	DWN S.N	APVD S.Y
		P	LTR	DESCRIPTION RELEASED				

-1: AS SHOWN



THIS DRAWING IS UNPUBLISHED.

RELEASED FOR PUBLICATION
ALL RIGHTS RESERVED.

BY TYCO ELECTRONICS CORPORATION.

CRIMP SYMBOL	TERMINAL No.	WIRE SIZE AWG#	INS. RANGE (mm)	TERMINAL CH (mm)		IS. No.	APPL. SPEC.
				WIRE	INS.		
A	1747498	#14	ø2.9-ø3.8	1.82-1.97	4.24 REF	411-	114-
B	1747500	#12	ø3.0-ø4.2	2.10-2.25	4.62 REF	78195	5369

DIMENSIONS: 単位: 耗 mm	DWN S.NAKA	13.JUN.2005	MATERIAL 材料	FINISH 仕上			
	CHK S.NAKA	13.JUN.2005	Tyco Electronics AMP K.K. Kawasaki, Japan				
TOLERANCES UNLESS OTHERWISE SPECIFIED: 一般公差	APVD S.YABE	13.JUN.2005					
0 PLC ± -	PRODUCT SPEC 製品規格	—	NAME 名称 DIE ASSY				
1 PLC ± -	APPLICATION SPEC 取付適用規格	—	SIZE	CAGE CODE	DRAWING NO 番号	RESTRICTED TO —	
2 PLC ± -	—	—	A4	00779	C-1762674		
3 PLC ± -	WEIGHT	90 g	CUSTOMER DRAWING			SCALE 尺度	1:1
4 PLC ± -	—	—	SCALE			SHEET	1 OF 1
ANGLES ± -	—	—	SCALE			REV	A

